

**banerect**<sup>®</sup>  
BANNERSTANDS

...the lightest and most  
versatile Bannerstand  
you'll ever need.

introducing...

**CLASSIC**<sup>®</sup>

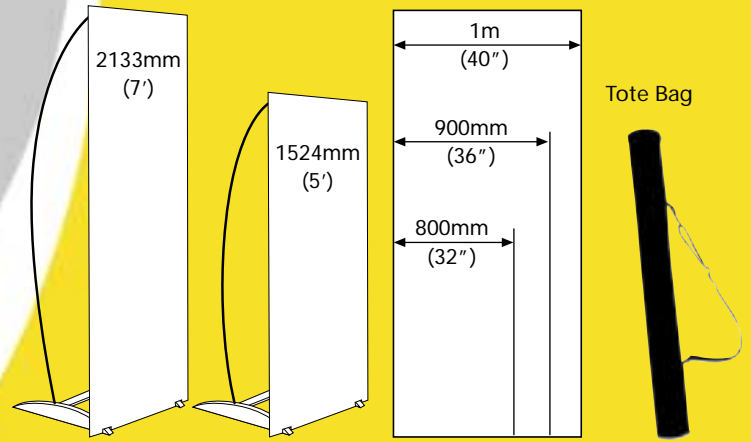
it's as easy as...



**banerect**<sup>®</sup>  
BANNERSTANDS [www.banerect.co.nz](http://www.banerect.co.nz)

the ultimate freestanding bannerstand

**banerect®**, the ultimate freestanding bannerstand. A lightweight, inexpensive and easily transportable unit that helps promote your message. Designed for use indoors, it's simple and aesthetic form blends into the background leaving your message as the centre of attention.

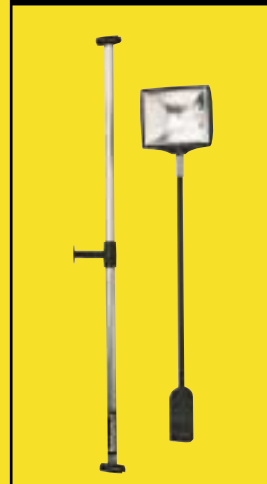


... six in one image combinations



## ACCESSORIES

### Light System



### Product Table



### Wall Mount



### Magnetic Edge Tape

for seamless panel connections



### DIMENSIONS

Banner widths: 800mm, 900mm, & 1m

Banner heights 2133mm and 1524mm

Tote bag: Length - 1020mm

Diameter - 127mm

Total Weight: 3.4kg (7.5lb) excl. banner

Available From: